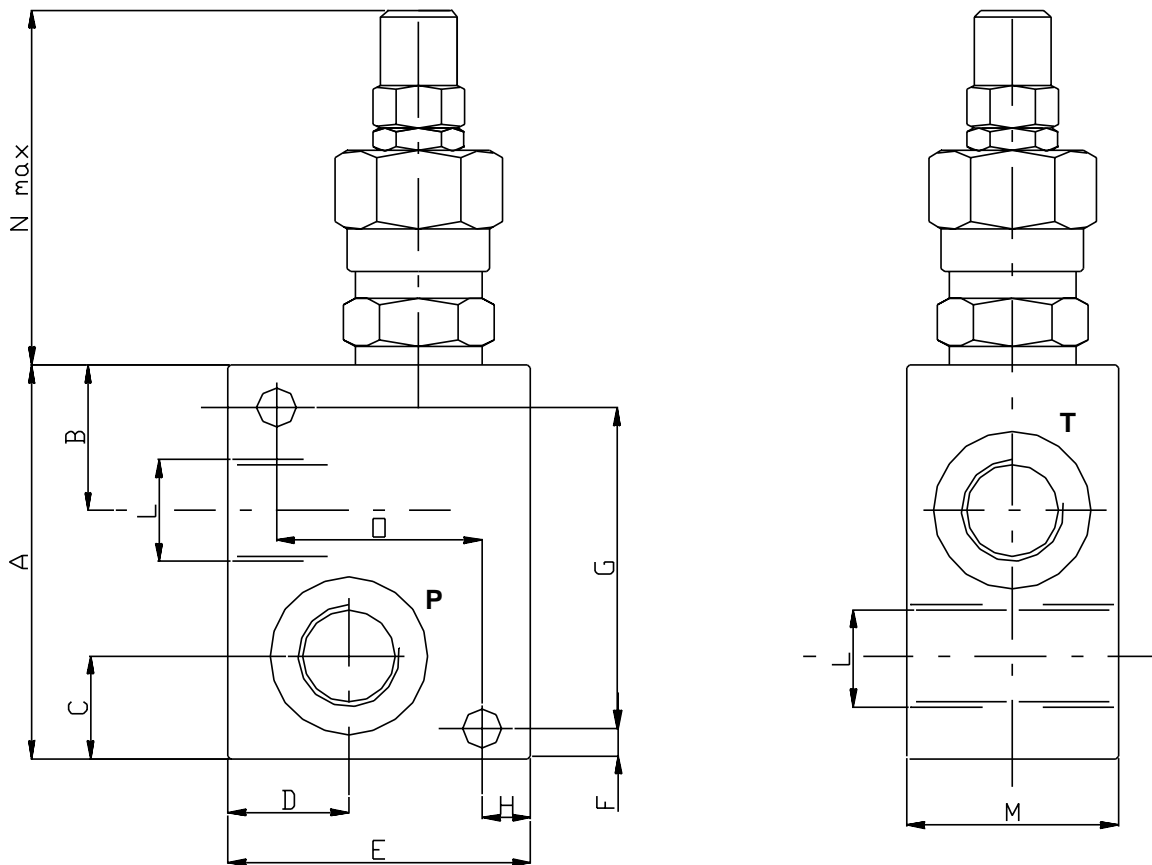




**Caratteristiche-Rating**

Dimensione/Dimension		02	03
Portata max/Max Flow	l/min	35	35
Pressione max/Max Pressure	bar	350	350

N.B.: per l'utilizzo di altri parametri vogliate consultarci  
Note: where measurements are critical request certified drawings



**Dimensioni e pesi - External dimension and weight**

Dimensione/Dimension	A	B	C	D	E	F	G	H	L GAS	L NPT	L SAE	M	N	O	Peso Weight kg
<b>02</b>	65	24	17	20	50	4.5	53	6	3/8	3/8	3/4-16	35	64	38	0.40
<b>03</b>	65	24	17	20	50	4.5	53	6	1/2	1/2	7/8-14	35	64	38	0.39

**For more information please contact:**



**2 Swallow Drive, Alsager, Stoke on Trent, Staffs, ST7 2GJ**

You can telephone or fax us in the UK on:

**Tel: 08450 043440**

**Fax: 01270 876281**



**Web: <http://www.zeushydratech.co.uk>**

Zeus Hydratech Limited